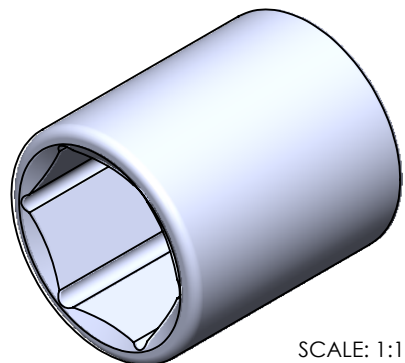
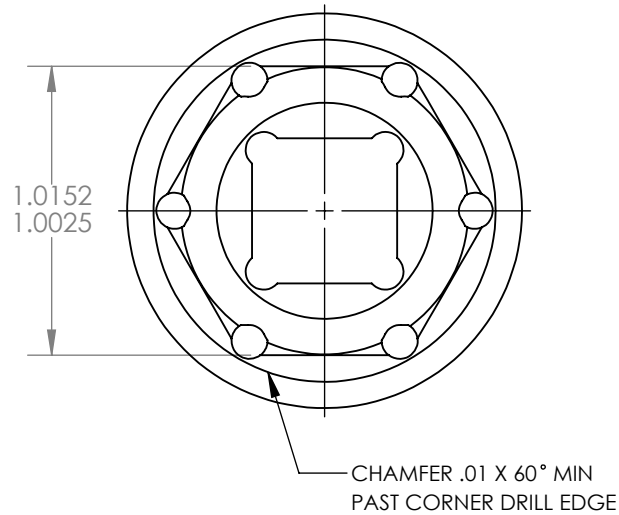
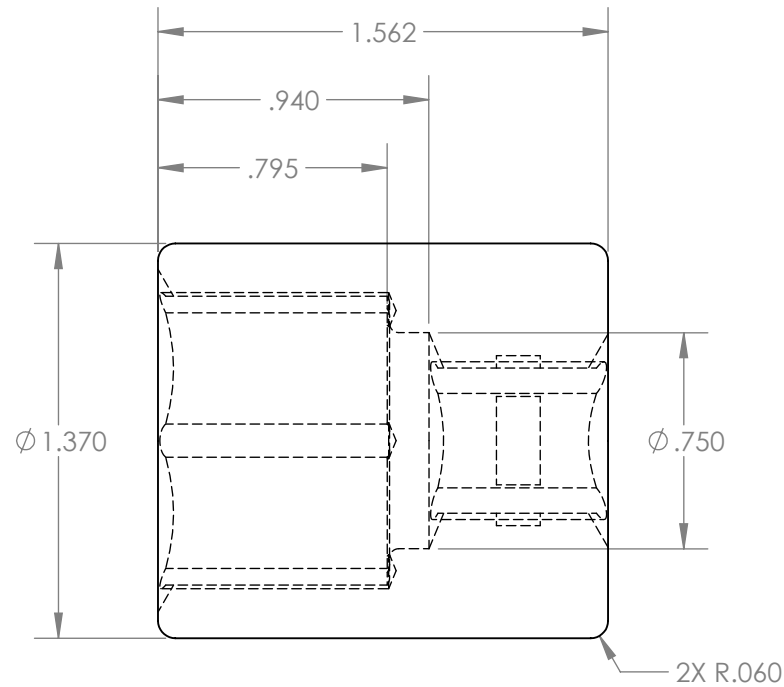
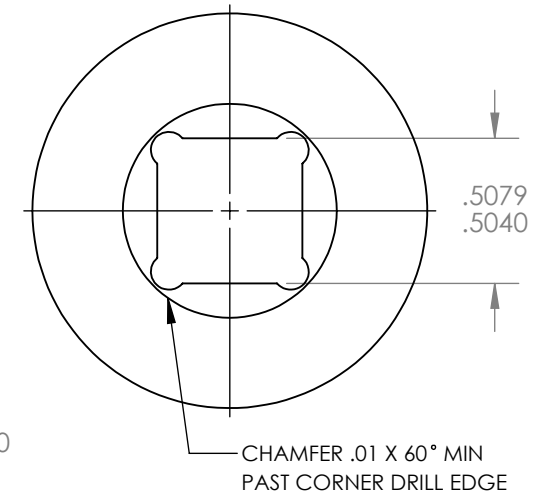


SCALE: 1:1



SCALE: 1:1

UNLESS OTHERWISE SPECIFIED: DIMENSIONS ARE IN INCHES			TOLERANCES: X.XX= ±0.13 X.XXX= ±0.015 X.XXXX= -0.0015		<p>The Global Source for Stainless Steel Tools</p>
DRAWN	NAME	SIGN	DATE		
APP'VD	A.T.		06.13.19		
MATERIAL: 17-4 MAGNETIC S.S.					TITLE: 1" X 1/2" DRIVE SOCKET
<i>THIS DRAWING IS THE PROPERTY OF STERITOOL, INC. ANY REPRODUCTIONS OR MODIFICATIONS OF THIS DRAWING OR ITS CONTENTS WITHOUT THE CONSENT OF STERITOOL, INC. IS PROHIBITED.</i>					PART NO. 12718
					SCALE: 1.5:1